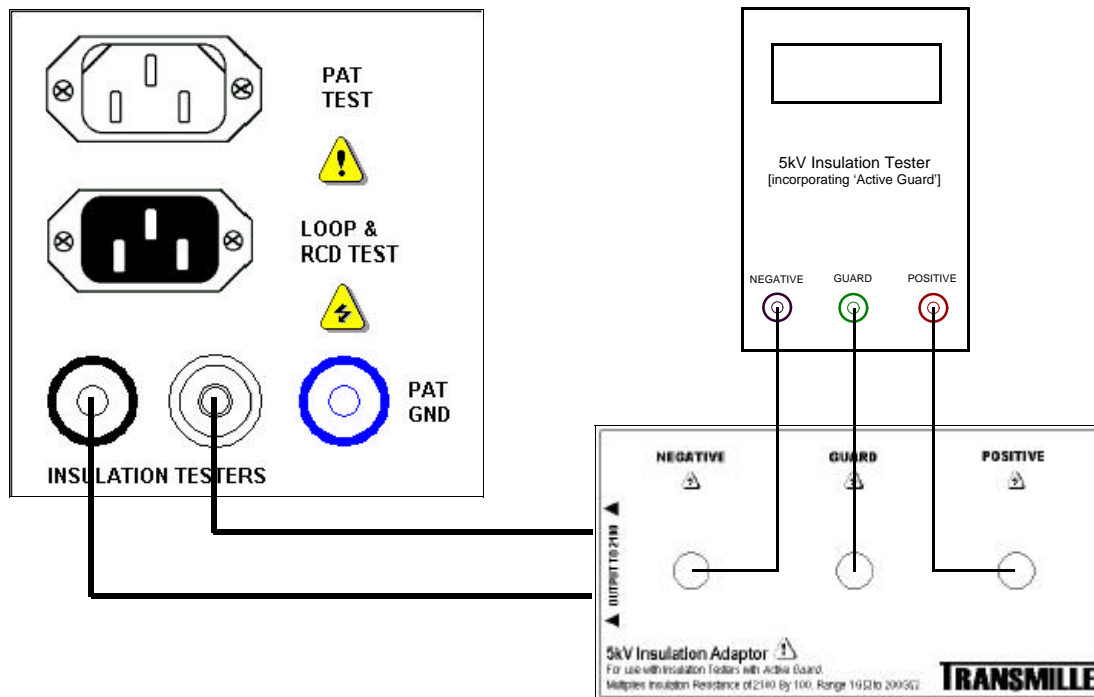


2100 5kV INSULATION TESTER ADAPTOR

A compact adaptor for use in calibrating insulation testers incorporating an 'Active guard'. This adaptor plugs into the 2100 Insulation Tester terminals



Using the 5kV Insulation Tester Adaptor

To use the adaptor, connect to the terminals of the 2100 Calibrator marked 'Insulation Testers' and the corresponding terminals on the Insulation tester.

- Select *INS RES* on the 2100 front panel keyboard.
- Select an Insulation resistance value to be used via the 5kV Insulation Adaptor. The Insulation Adaptor multiplies the Insulation Resistance of the 2100 By 100 within the range of 1GΩ to 200GΩ, e.g.

<u>2100 Setting</u>		<u>Reading on Insulation Tester (via 5kV Adaptor)</u>
10MΩ	=	1GΩ
100MΩ	=	10GΩ
1GΩ	=	100GΩ



THE 5kV ADAPTOR IS FOR USE ONLY WITH INSULATION TESTERS WHICH INCORPORATE AN 'ACTIVE GUARD' FUNCTION.

TRANSMILLE Ltd.

Unit 4, Select Business Centre, Lodge Road, Staplehurst, Kent. TN12 0QW. UK.
Tel: +44 (0) 1580 890700 Fax: +44 (0) 1580 890711 email: sales@transmille.com Web: www.transmille.com